

Ultimate Simplicity, Perfect for Small and Medium Rooms

Yealink VC500 is ideally designed to ensure everyone to have an immersive communication in the workspace. Equipped with the 5x optical zoom PTZ camera, it supports 1080P/60FPS video calls to make your business discussion be as life-like and interactive as possible. It possesses an all-in-one design and the first-class video and audio technology that create an easier and more effective collaboration experience. As the newest generation of Yealink VC series video conferencing endpoints, the VC500 adopts an intuitive user interface that makes meeting control simpler. Featuring H.265/HEVC, Opus and HD voice backed by Harman speaker, this new release facilitates more immersive audio-visual collaboration. By leveraging Yealink Meeting Server(YMS), the VC500 seamlessly supports Meeting Scheduling and One-touch Meeting Access. All combine to make VC500 one of the perfect solution for the small-to-medium meeting rooms.



Wide-angle Lens



Fits on TV



H.265 / HEVC



1080P / 60FPS



Touchable Phone

Key Features and Benefits

Immersive Audio-Visual Experience

Using a new 5X optical PTZ camera, VC500 supports 1080P/60FPS video calls without distortion, thus greatly enhancing the fluency of video conferencing and making the presentation more vivid even in details. Its wide-angle lens, which provides an expanded 83° horizontal field of view, brings everyone in view without adjusting the camera. In one package, it co-works with Yealink conference phone CP960 to create a better audio solution which is backed by Harman speaker, Opus codec and Yealink Noise Proof technology; and in the other package, it is equipped with two wireless microphones, providing 20ft/360° voice pickup distance without any wiring troubles, providing you a distance-free communication without any cables restriction.

Easier Meeting Experience, Simpler Deployment

Yealink VC500 owns all-in-one design which combines codec and camera together, only one standard RJ45 network cable could connect TV area and conference table, saving more time and space for better communication. Meanwhile, it fits easily and seamlessly on the TV with thickness from 1mm to 77mm, making your meeting room clutter-free. Moreover, its 5-inch touchable VCS phone makes the meeting joining and meeting control simpler and more intuitive, and its friendly TV-style user interface helps you minimize the learning cost.

Less Bandwidth, Better Network Adaptability

Via supporting H.265/HEVC video codecs, just with the minimum 512kbps, 1080P HD video calls can be realized, thus saving more than 50% bandwidth than using H.264. Thanks to Yealink anti-packet loss technology, VC500 can resist up to 30% video packet loss which guarantees smooth video communication.

Wider Compatibility, Deeper Integration

Yealink VC500 supports standard H.323/SIP dual protocol as well as RS-232/HTTP API and VISCA/PELCO. It is not only deeply integrated with Yealink Meeting Server(YMS), supporting Meeting Scheduling and One-touch Meeting Access; but also worked with Yealink Cloud Management Service (VCMS), bringing quick deployment. Besides, it supports the 3rd-party room system and integrates with the leading cloud platforms, like StarLeaf, Zoom, BlueJeans, Mind, etc.



- 1080P/60FPS and 5x optical PTZ camera
- 83° horizontal field of view
- H.265/HEVC video codec, 1080P from 512Kbps bandwidth
- Super video packet loss recovery technology, resist up to 30%
- Two HDMI output and two HD content input (HDMI + Mini-DP)
- VC500-Phone package: 5-inch touchable conference phone with Harman speaker
- VC500-Wireless Micpod package:
 - Two wireless microphones
- Deeply integrate with leading cloud platforms: Yealink Cloud Management Service (VCMS), Yealink Meeting Server, StarLeaf, Pexip, Mind, Zoom and BlueJeans

Package includes:

- VC500 Codec (integrate camera)
- CP960 Conference Phone with 2 Wired Expansion Mics Or 2 x Wireless Microphones with DD10 DECT Dongle
- Cable Hub VCH50
- Remote Control VCR11
- Cable Bundle

Full-HD PTZ Camera

- 1920 x 1080 video resolution
- 60 frame rate (VC500 Pro)
- 5x optical zoom PTZ camera
- Horizontal field of view: 83°
- Vertical field of view: 52°
- Pan angle range: +/- 30°
- Tilt angle range: +/- 20°
- Beauty shot

Video Standard and Network Suitability

- Video codecs: H.265/HEVC (VC500 Pro), H.264 High Profile, H.264, H.263
- Forward Error Correction (FEC)
- Anti 30% video packet loss
- Bandwidth dynamic adaptive adjustment
- Shared content and audio preference strategy
- Bandwidth/protocol/ auto adaptive

Audio Features

- Audio codecs:
 - Opus, 8~48kHz sampling rate
 - 14kHz bandwidth with G.722.1C
 - 7kHz bandwidth with G.722.1
 - 3.4kHz bandwidth with G.711 (PCMA/PCMU)
- Audio technology:
 - Acoustic echo cancellation
 - Automatic gain control
 - Yealink Noise Proof Technology
 - CNG, PLC, AJB, De-Rerb

VCS Phone CP960 (VC500-Phone)

- Built-in 3-microphone array
- 20ft/360° voice pickup range
- 2 x CP Wired Expansion Mic
- Harman speaker
- 5-inch touchscreen with 1280*720 resolution

CPW90 Wireless Microphone KIT (VC500-Wireless Micpod)

- DECT Technology
- 800mAh battery capacity
- 24-hour talking time
- 12-day standby time
- Indoor range: 50m
- Outdoor Range: 300m (in ideal conditions)
- 10-foot (3-meter) 360° voice pickup
- Mute the microphone with touchpad

Call Features

- 1080p60 people + 1080P30 content sharing video quality
- Video Layout: Picture-in-picture (PIP)
- Video/audio recording and playback
- Dual displays and 'focus' feature
- Screenshots in USB flash drive
- Group dial
- YMS meeting control:
 - invite/remove
 - mute/unmute participates
 - lock
- DND (do not disturb), call statistics
- Auto answer, mute, and call waiting
- Virtual keyboard
- Local directory: 500 entries
- Call history: all/missed/received/dialed
- LDAP phonebook
- Multi-language support

Standard Communication Protocol

- H.323/SIP
- Dual stream protocol: H.239 (H.323)/BFCP (SIP)
- FECC: H.224/H.281, Sony VISCA and PELCO D/P
- H.323 protocol suite: H.245, H.225, H.235, H.241
- Gatekeeper account and SIP account

Compatible Cloud Platforms

- Yealink Cloud Management Service
- Yealink Meeting Server
- StarLeaf/UC OpenCloud, supports QCP code
- Pexip/Mind/Zoom/BlueJeans

Network and Security Features

- IPv4 and IPv6, DHCP/static IP
- HTTP/HTTPS web server
- RS232/HTTP API for control system integration
- SRTP/TLS, AES 128-bit encryption
- QoS: 802.1p/q, Diff-serv
- VLAN, IEEE802.1X, LLDP-MED
- Anti-attack
- Network diagnosis: Ping, trace route
- Time and date synchronization using SNTP
- Built-it certificate

NAT and Firewall Traversal

- ICE/TURN/STUN
- H.460
- NAT (manual/auto mode)
- Yealink intelligent firewall traversal
- Open VPN

Configuration Management

- Configuration via browser/display/auto-provisioning
- Virtual remote control
- Firmware upgrading, factory resetting
- Export or import configuration
- System log exporting

VC500 Codec Connections

- 2 x HDMI output
- 1 x Yealink extension port (RJ-45) connect to VCH50 /CP960 Phone
- 1 x 10/100/1000M Ethernet port
- 2 x USB 2.0
- 1 x Power port
- 1 x Security lock slot
- 1 x Reset slot

VCH50 Connections

- 1 x RJ45 port connect to VC500 codec
- 1 x RJ45 port connect to CP960
- 1 x HDMI input for content sharing (with audio)
- 1 x Mini-DP input for content sharing (with audio)
- 1x USB 2.0 for recording

Other Physical Features

- External Yealink Power Adapter: AC 100~240V input and DC 48V/0.7A Output
- Wall/TV mounted shelf with screws
- Power consumption (PSU): Idle<7.8W, normal operating: 8W; MAX: 11.8W
- Dimension (W.D.H):
 - VC500 codec: 300 mm x 99 mm x 165.3 mm
 - CP960: 338mm x 338mm x 74mm
 - VCR11: 190mm x 55mm x 24mm
- Operating humidity: 10~95%
- Operating temperature: 0~40°C
- Storage temperature: -30~70°C

Package Features

- N.W/CTN: 6.6 kg
- G.W/CTN: 7.8 kg
- Giftbox size: 385mm x 290mm x 245mm

Compliance

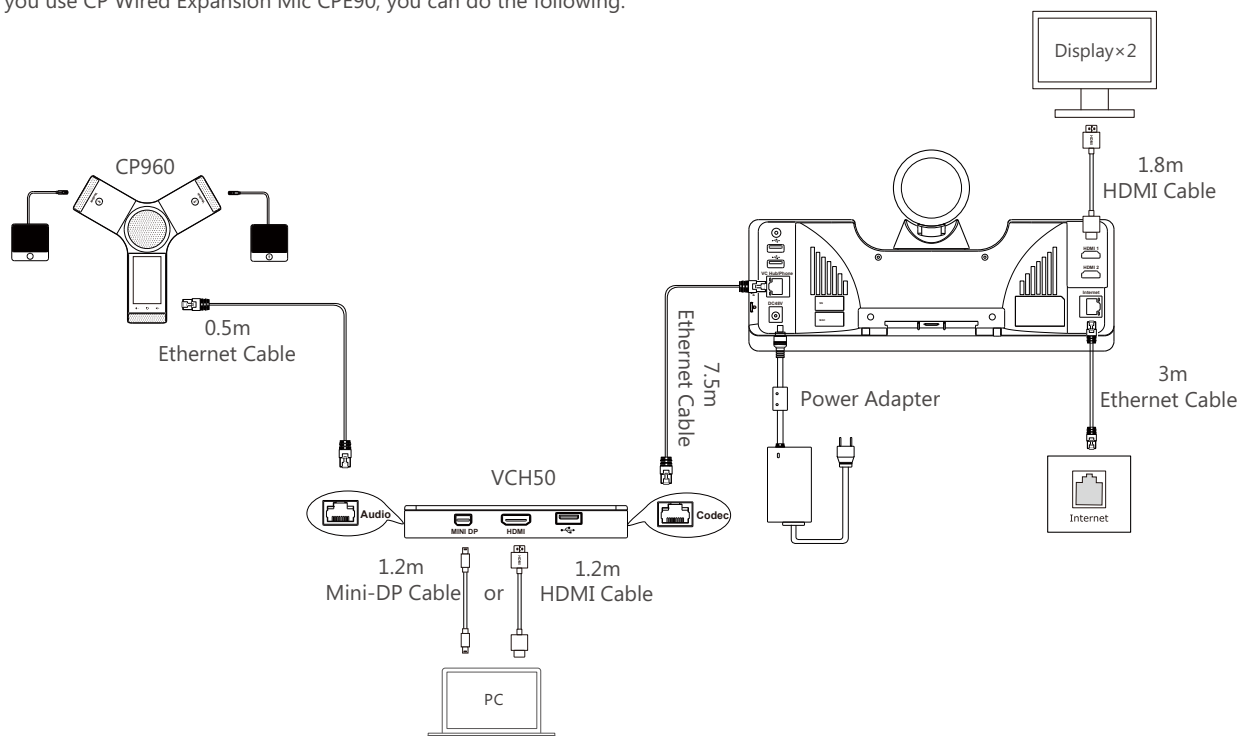


VC500 Endpoint Specification

Module	Features	VC500-Phone	VC500-Wireless Micpod
Camera Features	Zoom	5X optical	5X optical
	Frame rate	60 FPS	30 FPS
	Horizontal field of view	83°	83°
Video Features	Video call quality	Up to 1080p60fps	Up to 1080p30fps
	H.265/HEVC	√	x
	Bandwidth requirement	1080P from 512kbps in H.265	1080P from 1Mbps in H.264HP
	Video packet loss recovery	30%	30%
	Local HD recording to USB flash drive	√	√
Microphone	Microphone Model	CP960 conference phone	2 x wireless microphones
	Voice pickup distance	20ft / 6 meters	10ft / 3 meters (each mic)
	Screen	5 inches touchscreen (1280*720)	x
	3-microphone array	√	x
	Speaker	Harman speaker	x
	Expansion microphones	2 x wired microphones	x
	Noise proof technology	√	√
Network & Security	TCP/IP	IPv4 and IPv6	IPv4 and IPv6
	Communication protocols	H.323 / SIP	H.323 / SIP
	Traversal features	ICE/TURN/STUN/NAT/H.460	ICE/TURN/STUN/NAT/H.460
	Encryption	SRTP/TLS/H.235/AES 128-bit	SRTP/TLS/H.235/AES 128-bit
Physical Connections	Video output	2 x HDMI	2 x HDMI
	Video input for content	1 x HDMI & 1 x Mini Display Port	1 x HDMI & 1 x Mini Display Port
	VCH/Phone port	1 x RJ45	1 x RJ45
	USB interface	2 x USB2.0 in VC500 codec 1 x USB2.0 in VCH50 cable hub 2 x USB2.0 in CP960 phone	2 x USB2.0 in VC500 codec 1 x USB2.0 in VCH50 cable hub
	Network interface	1 x 10/100/1000M Ethernet	1 x 10/100/1000M Ethernet
	Power adapter	48V/0.7A	48V/0.7A
Audio Codec	Opus (8-48kHz), G.722.1C, G.722.1, G.722, G.711 (PCMU/PCMA)		
Video Resolution	1080P, 720P, 540P, 360P, 4CIF, CIF		
Compatible Cloud	Yealink Meeting Server, Yealink Cloud Management Service, Pexip, Mind, Zoom, BlueJeans		

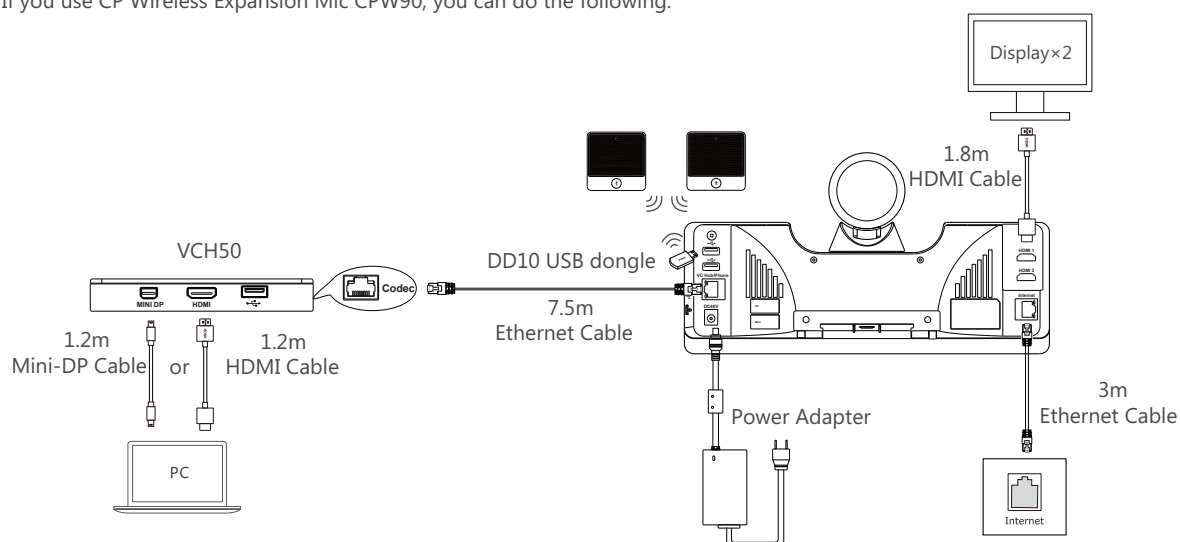
Connections

- If you use CP Wired Expansion Mic CPE90, you can do the following:



- 💡 If you do not need to share content, you can connect VC Hub/Phone port in VC500 to Internet port in CP960 conference phone directly.
- 💡 When CP960 conference phone works with VC500 codec, the 3.5mm Audio-out port in CP960 conference phone is unavailable.

- If you use CP Wireless Expansion Mic CPW90, you can do the following:



- 💡 The CPW90 wireless microphones and DD10 USB dongle are automatically paired from the factory.
- 💡 To use CPW90 wireless microphones, connect the DD10 USB dongle to one of the USB ports in the VC500 codec. Then the CPW90 wireless microphones can work as audio input devices.

About Yealink

Yealink (Stock Code: 300628) is a global leading unified communication (UC) terminal solution provider that primarily offers video conferencing systems and voice communication solutions. Founded in 2001, Yealink leverages its independent research and development and innovation to pursue its core mission: "Easy collaboration, high productivity." The company's high-quality UC terminal solutions enhance the work efficiency and competitive advantages of its customers in over 100 countries. Yealink is the world's second-largest SIP phone provider and is number one in the China market.

Copyright

Copyright © 2017 YEALINK(XIAMEN) NETWORK TECHNOLOGY CO., LTD.

Copyright © 2017 Yealink(Xiamen) Network Technology CO., LTD. All rights reserved. No parts of this publication may be reproduced or transmitted in any form or by any means, electronic or mechanical, photocopying, recording, or otherwise, for any purpose, without the express written permission of Yealink(Xiamen) Network Technology CO., LTD.

Technical Support

Visit Yealink WIKI (<http://support.yealink.com/>) for firmware downloads, product documents, FAQ, and more. For better service, we sincerely recommend you to use Yealink Ticketing system (<https://ticket.yealink.com>) to submit all your technical issues.



YEALINK(XIAMEN) NETWORK TECHNOLOGY CO.,LTD.
Web: www.yealink.com
Addr: 309, 3th Floor, No.16, Yun Ding North Road,
Huli District, Xiamen City, Fujian, P.R. China
Copyright©2017Yealink Inc.All right reserved.